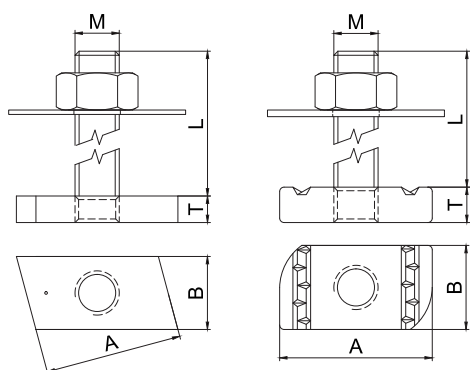
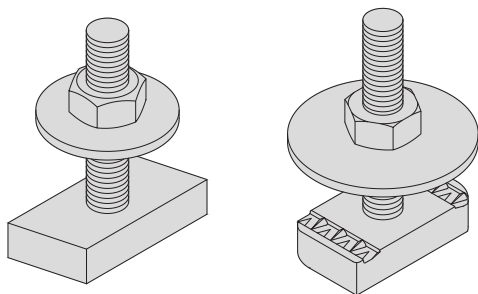


SESTAVA, SESTAVA ST
SLIDE T-BOLT ASSEMBLY, ST SLIDE T-BOLT ASSEMBLY



Popis:

Sestava se hlavně používá jako spojovací díl mezi objímku a nosník nebo konzolu. Díky různým délkám sestav můžeme nastavit sklon potrubí a umožnit kotvení potrubí s různou tloušťkou izolace. Existují různé typy sestav dle typu nosníku. Sestava je složena z nosníkového jezdce, zalisovaného závitového kolíku, nosníkové podložky a matice DIN934.

Description:

The slide T-bolt is mainly used as connecting part between pipe clamp and fixing rail or cantilever arm. Pipe slope can be achieved thanks to the different lengths of the slide T-bolts and different lengths also allow to anchor pipes with different insulation thicknesses. There are different types of slide T-bolts for different types of fixing rails. The slide T-bolt is composed from pressed threaded pin together with slide nut, washer for fixing rail and hexagon nut DIN934.

Technické údaje / Technical data:

Materiál / Material:	ocel třídy 5.6 / steel class 5.6
Povrchová úprava / Surface coating:	galvanicky pozinkováno / zinc plated

Obj. číslo Supply No.	Název Name	A (mm)	B (mm)	L (mm)	M Závit Thread	T (mm)	Vhodné pro profil Suitable for profile	Balení Package (ks/pcs)
31100820	Sestava / Slide T-bolt assembly / M8x20 mm 27x18+28x30	21	14	20	M8	4	27x18, 28x30	100
31100830	Sestava / Slide T-bolt assembly / M8x30 mm 27x18+28x30	21	14	30	M8	4	27x18, 28x30	100
31100850	Sestava / Slide T-bolt assembly / M8x50 mm 27x18+28x30	21	14	50	M8	4	27x18, 28x30	100
31100880	Sestava / Slide T-bolt assembly / M8x80 mm 27x18+28x30	21	14	80	M8	4	27x18, 28x30	100
31100899	Sestava / Slide T-bolt assembly / M8x100 mm 27x18+28x30	21	14	100	M8	4	27x18, 28x30	100
31101830	Sestava / Slide T-bolt assembly / M8x30 mm 38x40+40x60	31 (32)	16,5	30	M8	6 (8)	38x40, 40x60	100
31101850	Sestava / Slide T-bolt assembly / M8x50 mm 38x40+40x60	31 (32)	16,5	50	M8	6 (8)	38x40, 40x60	100
31101880	Sestava / Slide T-bolt assembly / M8x80 mm 38x40+40x60	31 (32)	16,5	80	M8	6 (8)	38x40, 40x60	100
31101030	Sestava / Slide T-bolt assembly / M10x30 mm 38x40+40x60	31	16,5 (15,5)	30	M10	8 (5)	38x40, 40x60	100
31101050	Sestava / Slide T-bolt assembly / M10x50 mm 38x40+40x60	31	16,5 (15,5)	50	M10	8 (5)	38x40, 40x60	100
31101080	Sestava / Slide T-bolt assembly / M10x80 mm 38x40+40x60	31	16,5 (15,5)	80	M10	8 (5)	38x40, 40x60	100
31101100	Sestava / Slide T-bolt assembly / M10x100 mm 38x40+40x60	31	16,5 (15,5)	100	M10	8 (5)	38x40, 40x60	100
31101230	Sestava / Slide T-bolt assembly / M12x30 mm 38x40+40x60	31 (32)	16,5	30	M12	8 (5)	38x40, 40x60	50
31101240	Sestava / Slide T-bolt assembly / M12x40 mm 38x40+40x60	31 (32)	16,5	40	M12	8 (5)	38x40, 40x60	50
31101280	Sestava / Slide T-bolt assembly / M12x80 mm 38x40+40x60	31 (32)	16,5	80	M12	8 (5)	38x40, 40x60	50
32903054	Sestava ST / Slide T-bolt assembly type ST / M8x40 mm	33	19	40	M8	6	ST41x21, 41, 62	100
32903055	Sestava ST / Slide T-bolt assembly type ST / M8x50 mm	33	19	50	M8	6	ST41x21, 41, 62	100
32903058	Sestava ST / Slide T-bolt assembly type ST / M8x80 mm	33	19	80	M8	6	ST41x21, 41, 62	100
32903104	Sestava ST / Slide T-bolt assembly type ST / M10x40 mm	33	19	40	M10	8	ST41x21, 41, 62	100
32903106	Sestava ST / Slide T-bolt assembly type ST / M10x60 mm	33	19	60	M10	8	ST41x21, 41, 62	100
32903108	Sestava ST / Slide T-bolt assembly type ST / M10x80 mm	33	19	80	M10	8	ST41x21, 41, 62	100
32903204	Sestava ST / Slide T-bolt assembly type ST / M12x40 mm	33	19	40	M12	10	ST41x21, 41, 62	50
32903206	Sestava ST / Slide T-bolt assembly type ST / M12x60 mm	33	19	60	M12	10	ST41x21, 41, 62	50
32903208	Sestava ST / Slide T-bolt assembly type ST / M12x80 mm	33	19	80	M12	10	ST41x21, 41, 62	50

Montážní postup / Mounting procedure:

