

CUBIC 2 XL

171

11.14

SFA



SANICUBIC® 2 XL

FR NOTICE D'INSTALLATION

UK INSTALLATION INSTRUCTIONS

DE INSTALLATIONSHINWEISE

IT STRUZIONI PER L'INSTALLAZIONE

ES MANUAL DE INSTALACIÓN

PT MANUAL DE INSTALAÇÃO

NL INSTALLATIE VOORSCHRIFTEN

SE INSTALLATIONSANVISNING

DK INSTALLATIONSVEJLEDNING

NO INSTALLASJONSANVISING

FI ASENNUSOHJEET

HU FELSZERELÉSI ÉS KEZELÉSI ÚTMUTATÓ

PL INSTRUKCJA INSTALACJI

RU ИНСТРУКЦИЯ ПО МОНТАЖУ И ЭКСПЛУАТАЦИИ

RO MANUAL DE INSTALARE

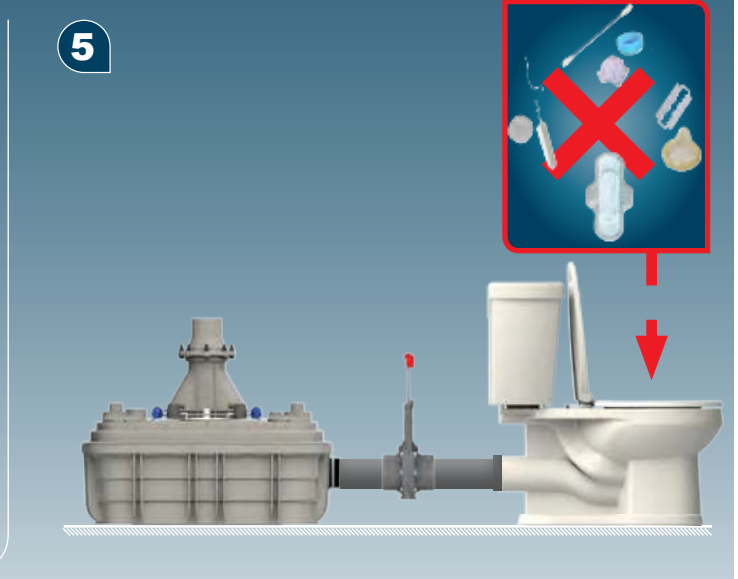
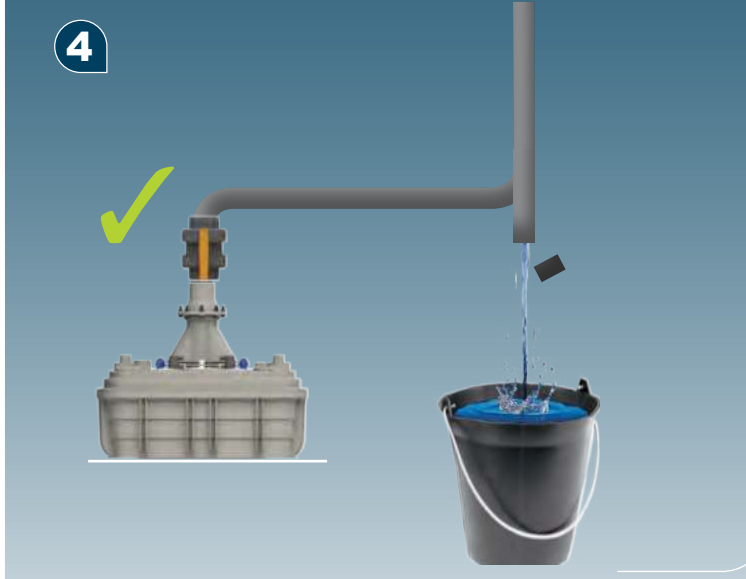
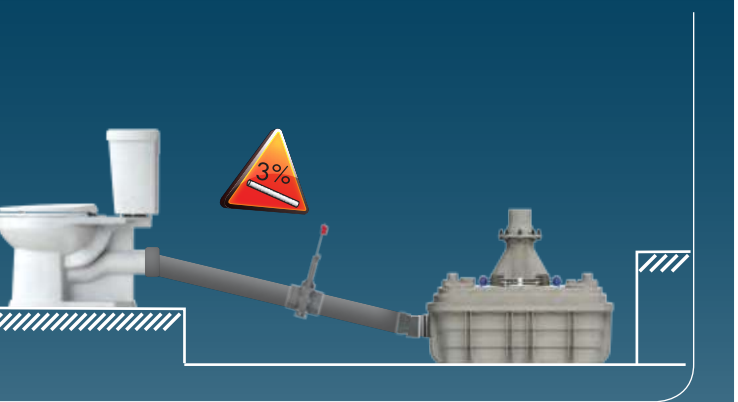
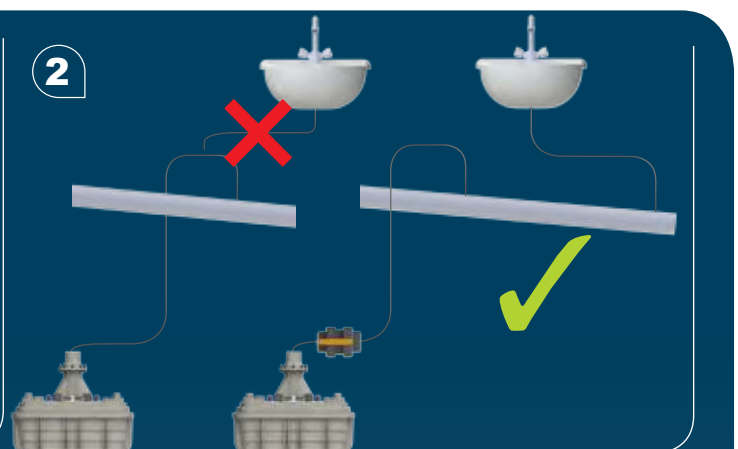
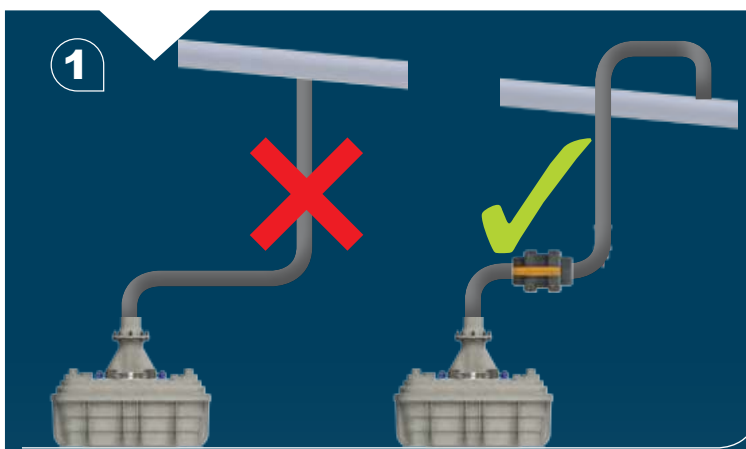
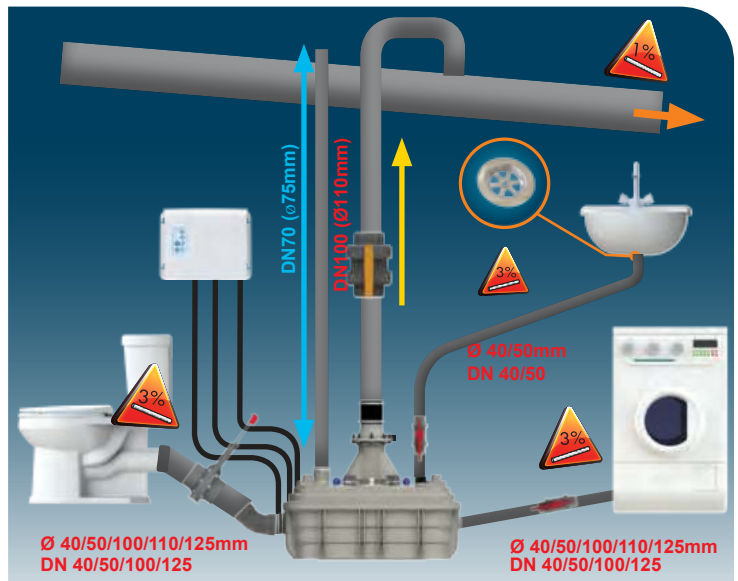
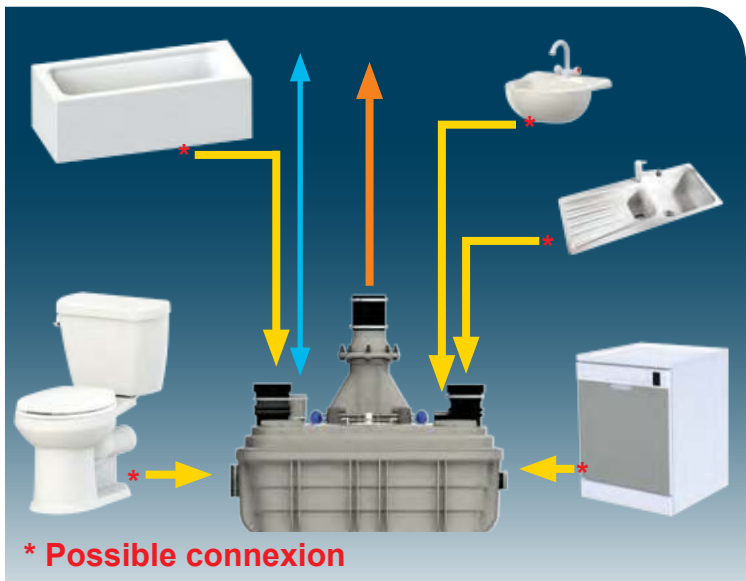
CZ NÁVOD K INSTALACI A POUŽÍVÁNÍ

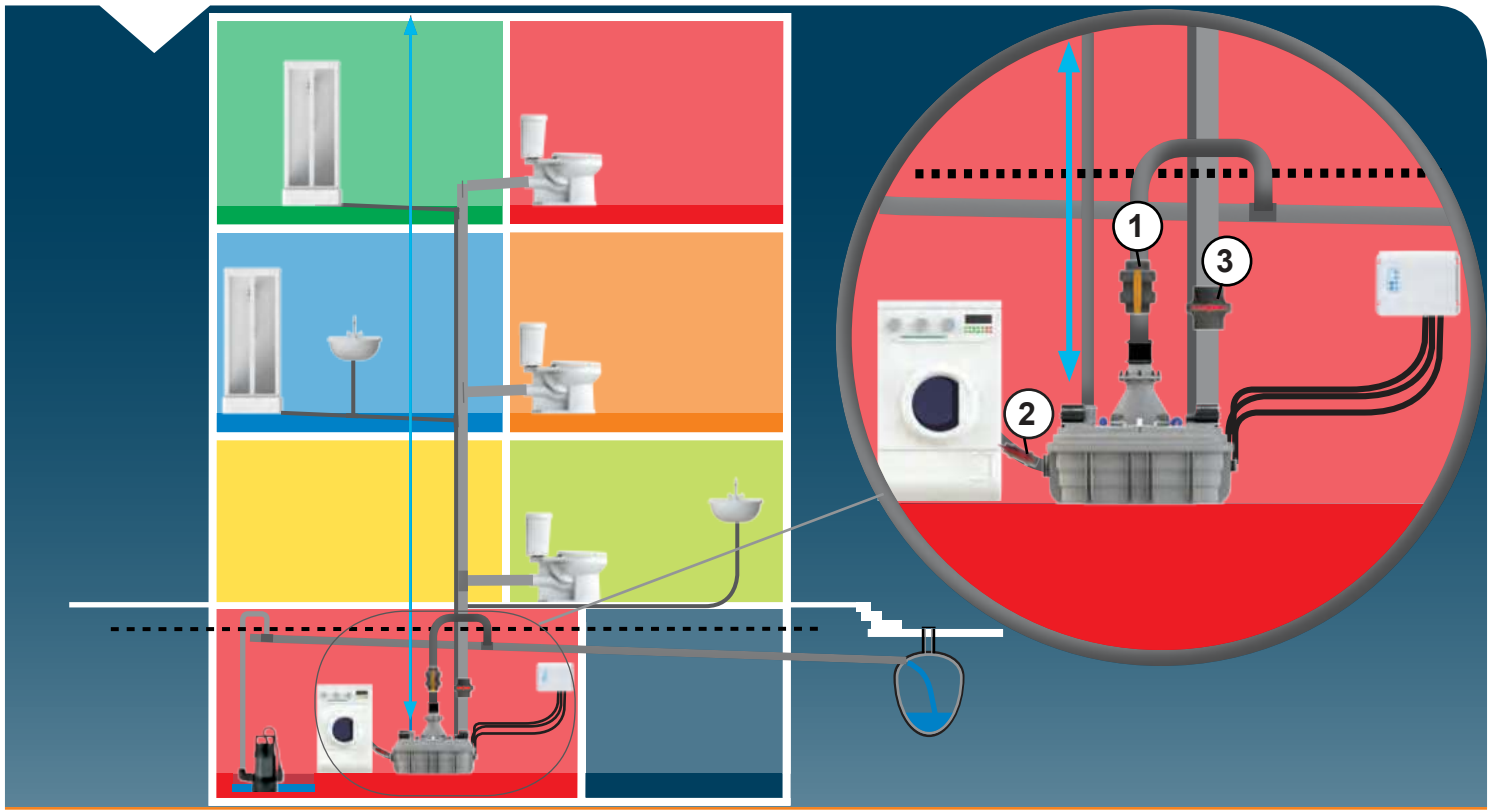
TR KURULUM KILAVUZU

CN 用户应保留安装指南以备

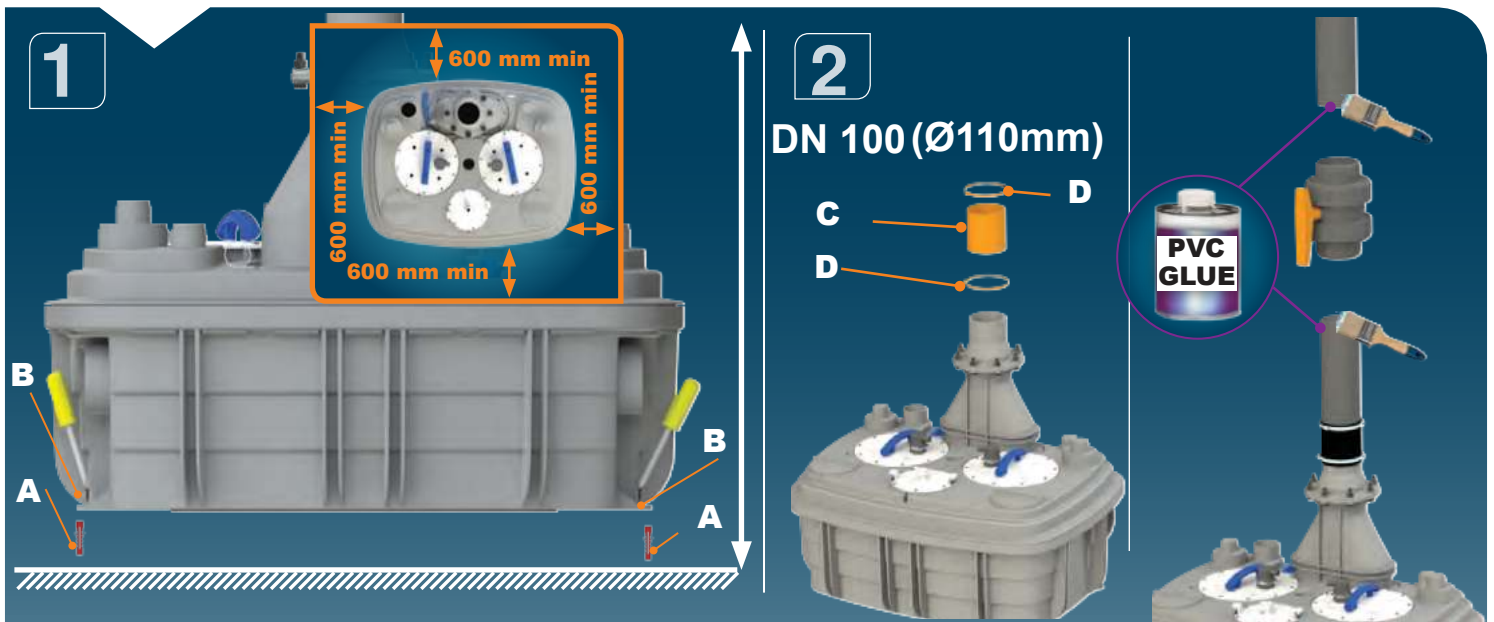
KR 설치내용서

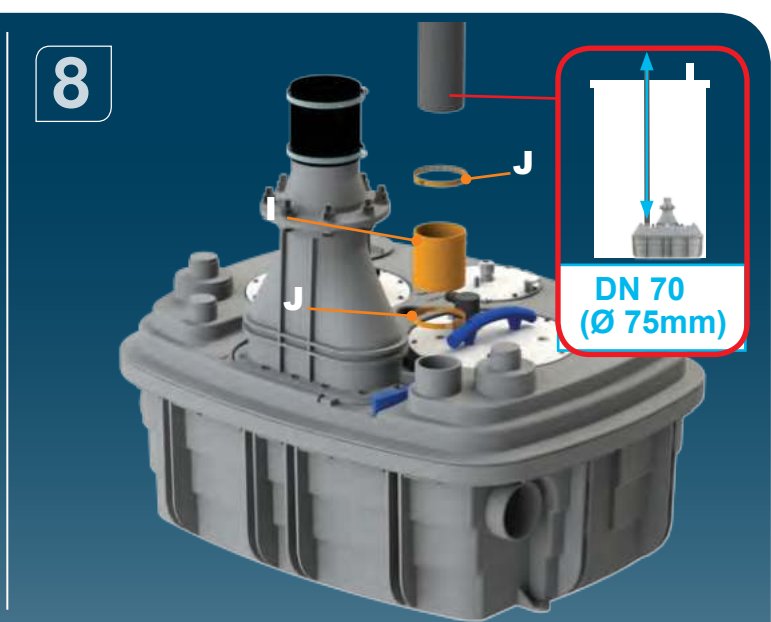
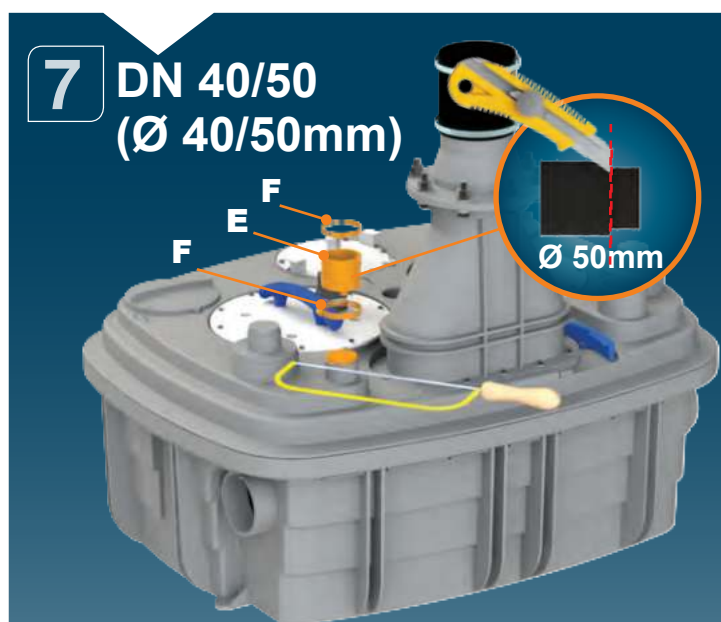
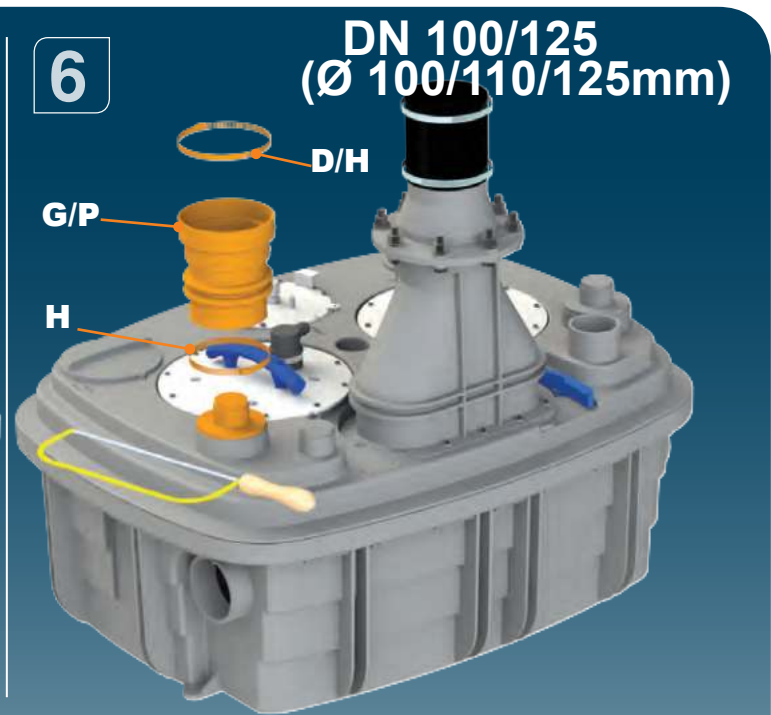
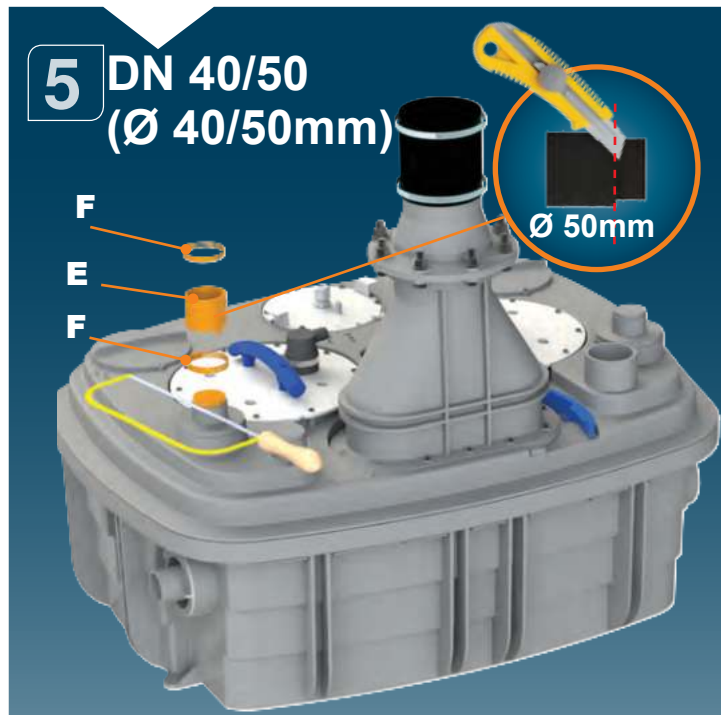
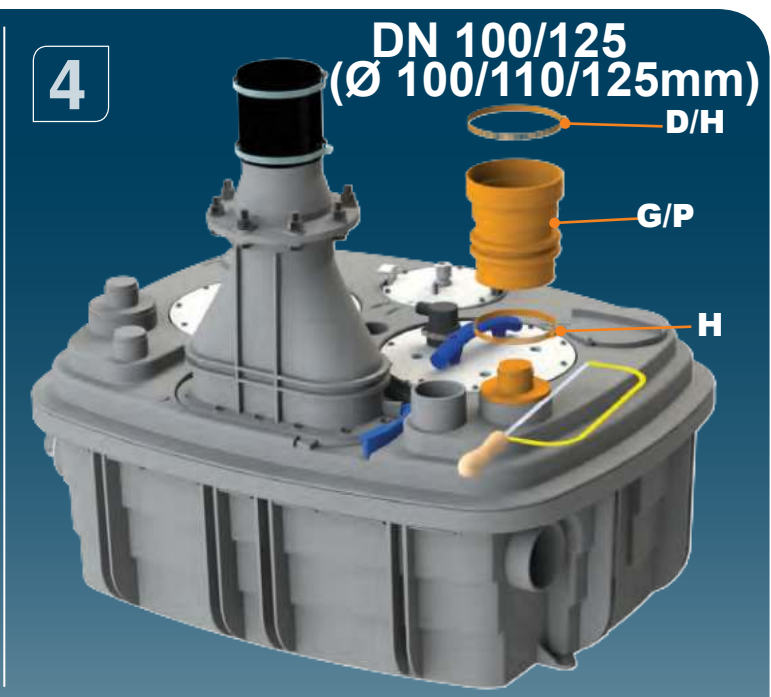
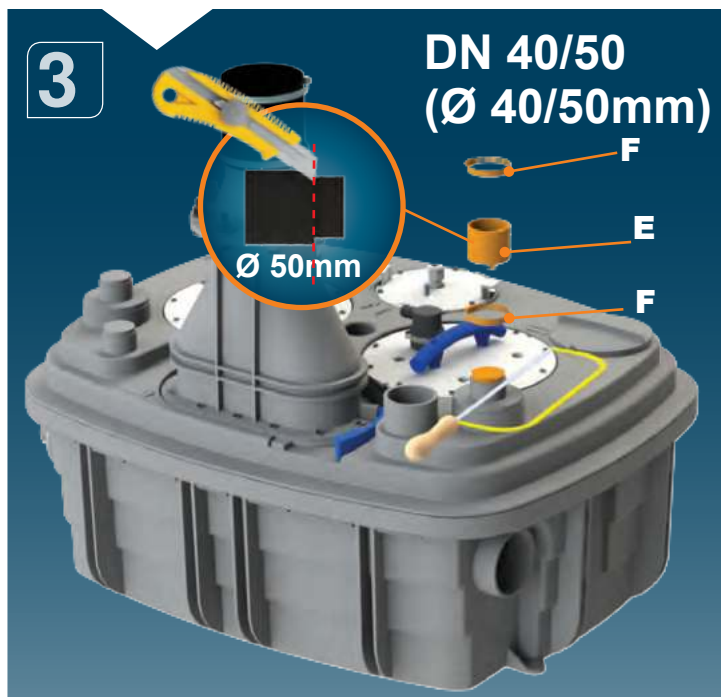
CE





- | | | | | | |
|--|---------------------------|------------------------------------|--------------------------------------|--|-------------------------|
| A
x2 | B
x2 | C
x1
DN100 (Ø110mm) | D
x3
116x136 | E
x4
DN 40/50
(Ø40/50mm) | F
x8
40x60 |
| G
x1
DN 100/125
(Ø100/110/125mm) | H
x4
100/120 | I
x1
DN 70
(Ø75mm) | J
x2
60x80 | K
x2 | L
x1 |
| M
x1
8x12 | N
x1 | O
x1 | P
x3
DN 100
Ø100/110 | | |

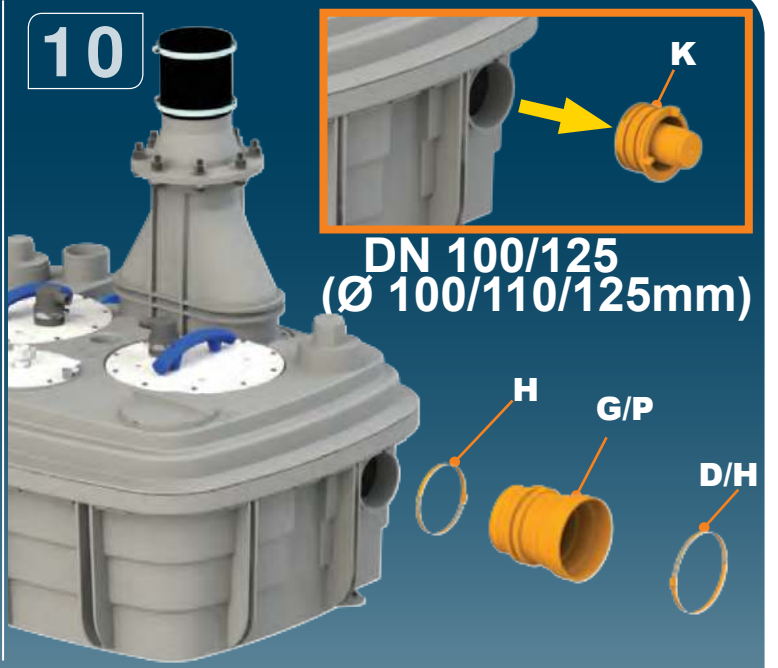




9

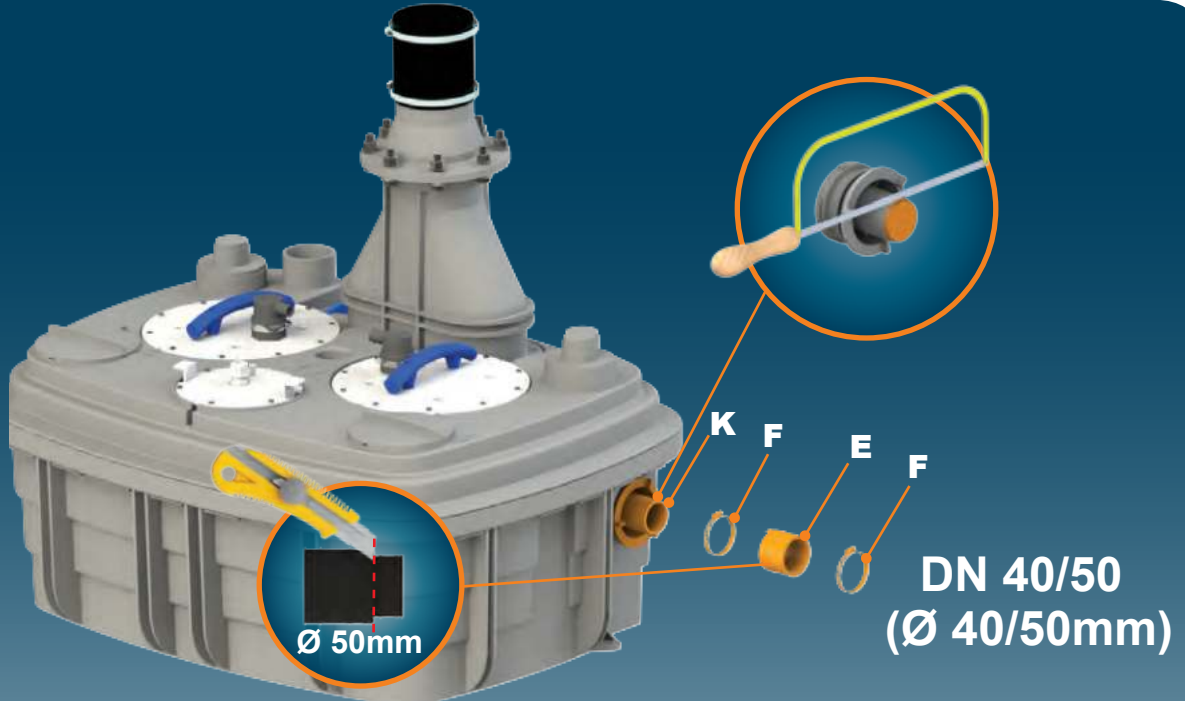


10



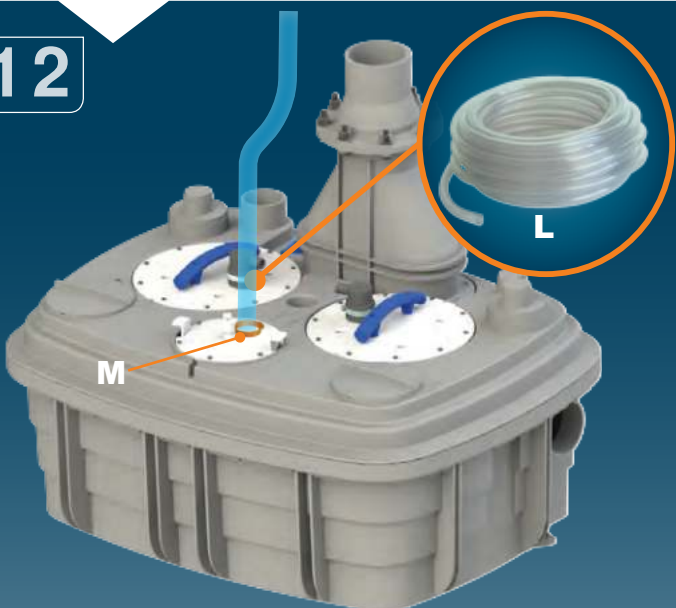
DN 100/125
(Ø 100/110/125mm)

11

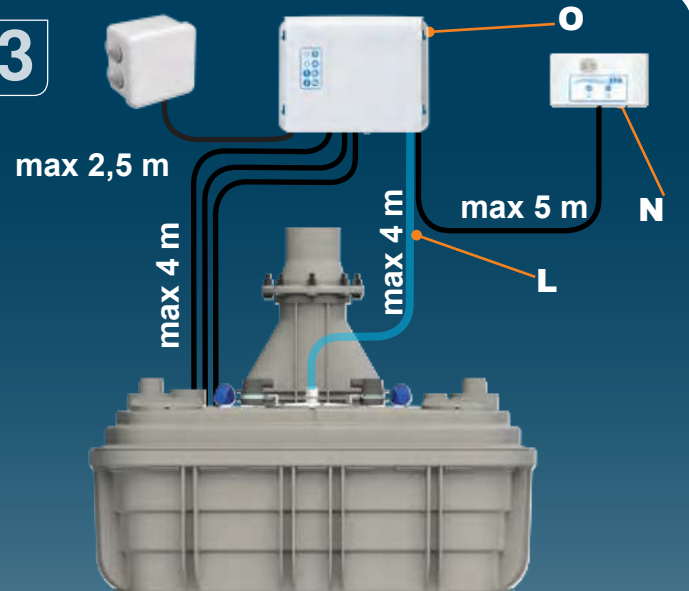


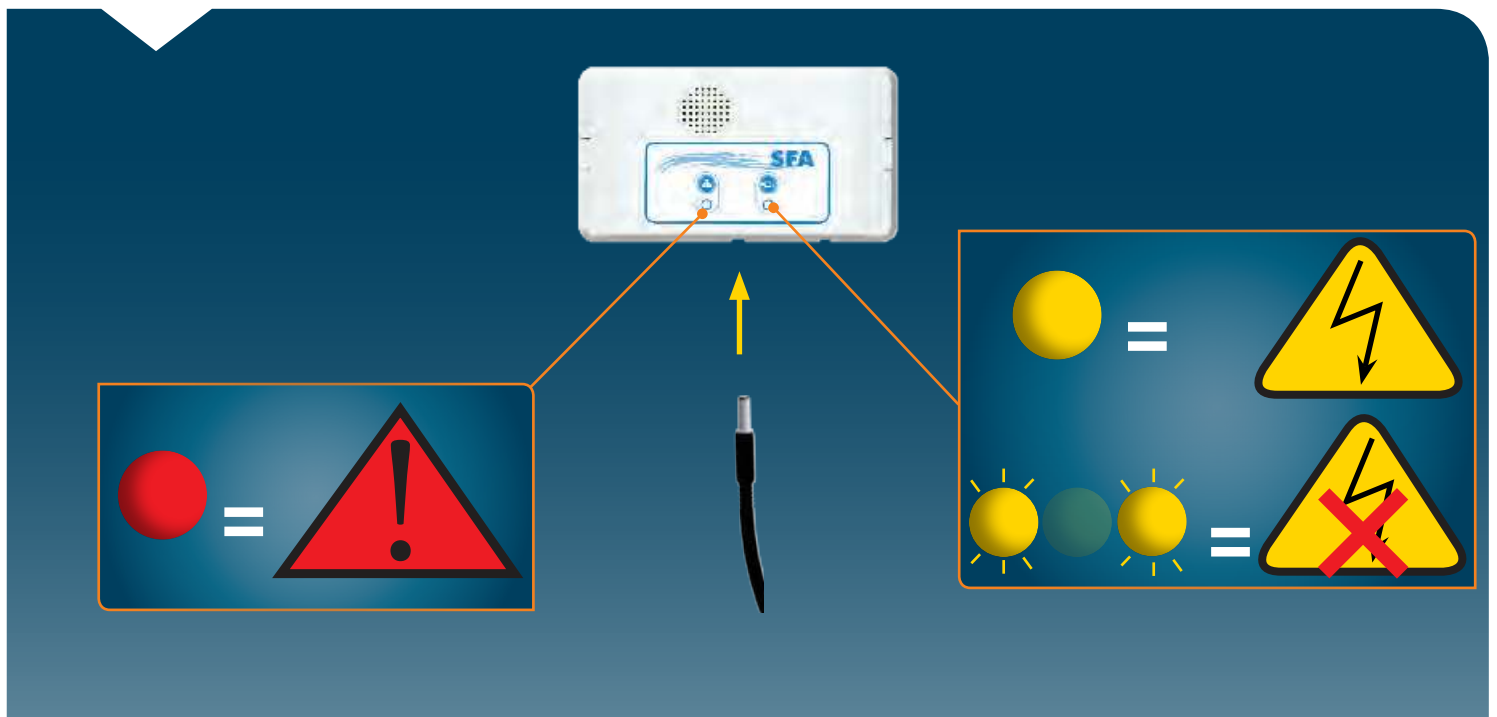
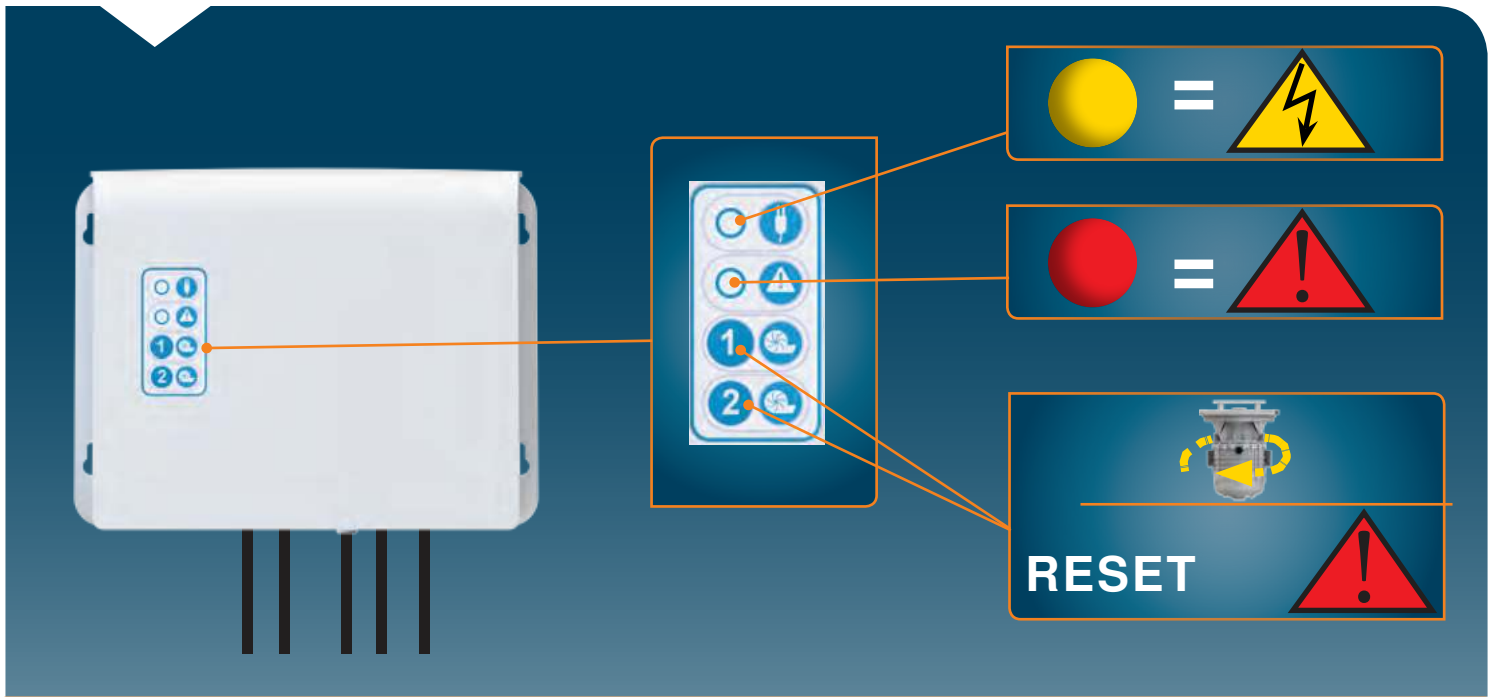
DN 40/50
(Ø 40/50mm)

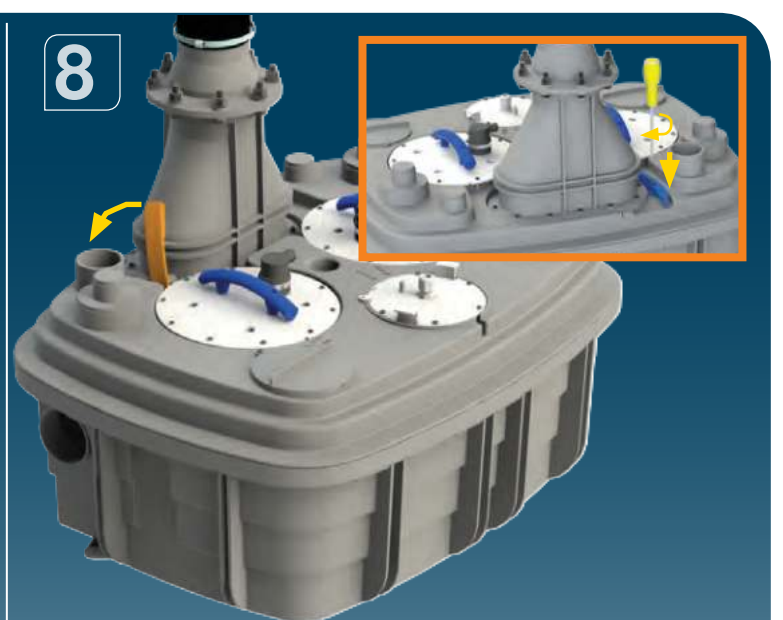
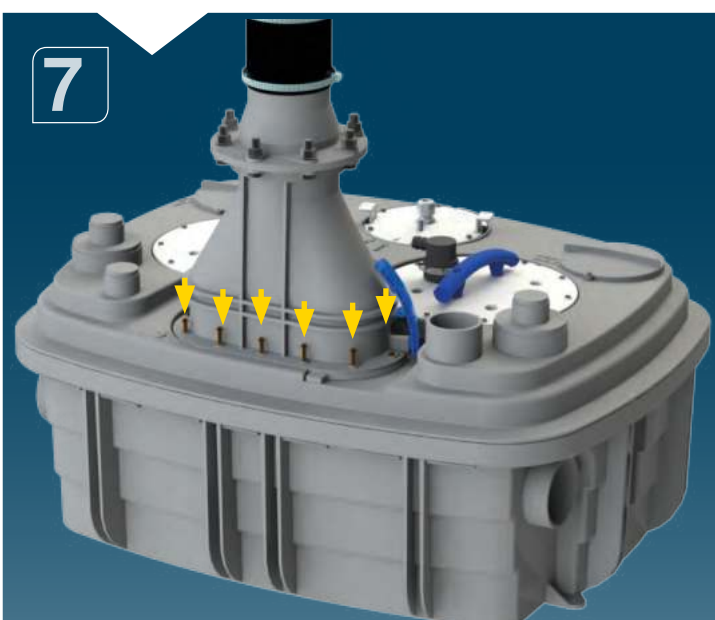
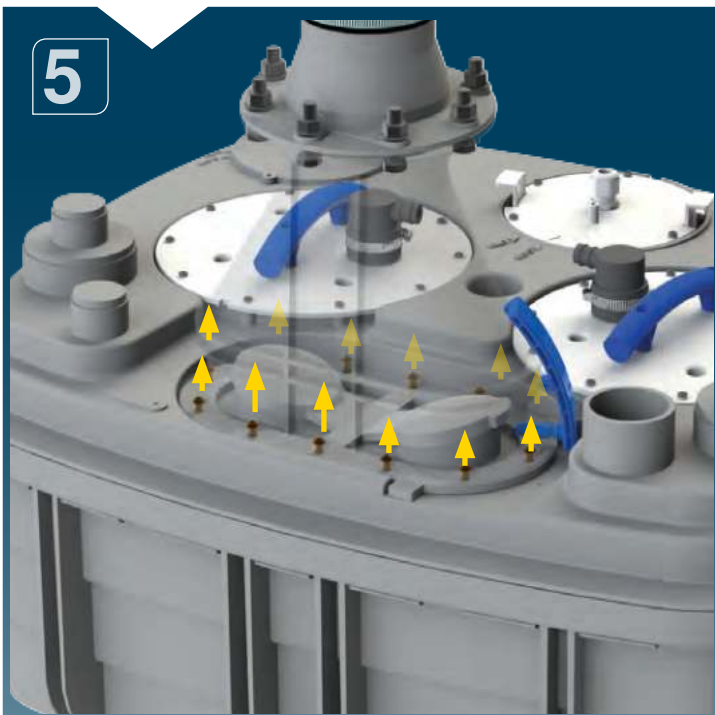
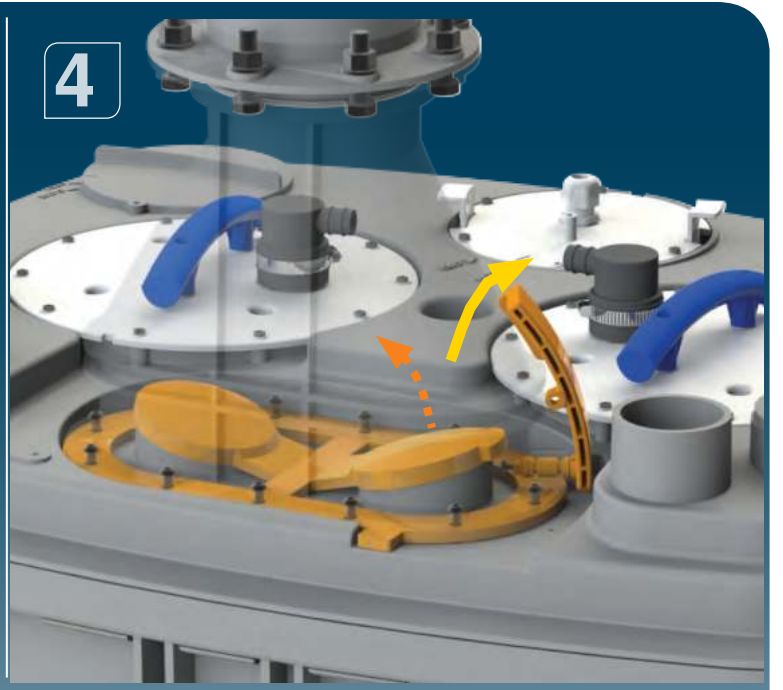
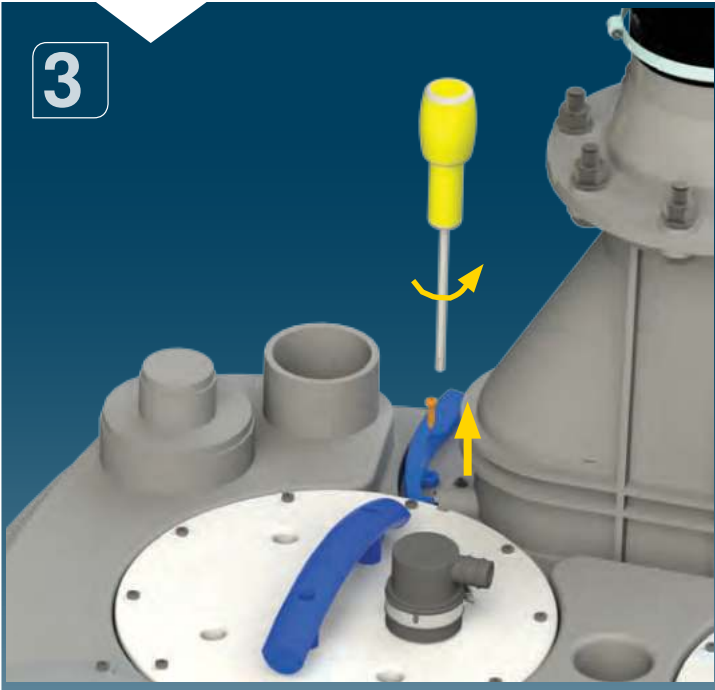
12



13







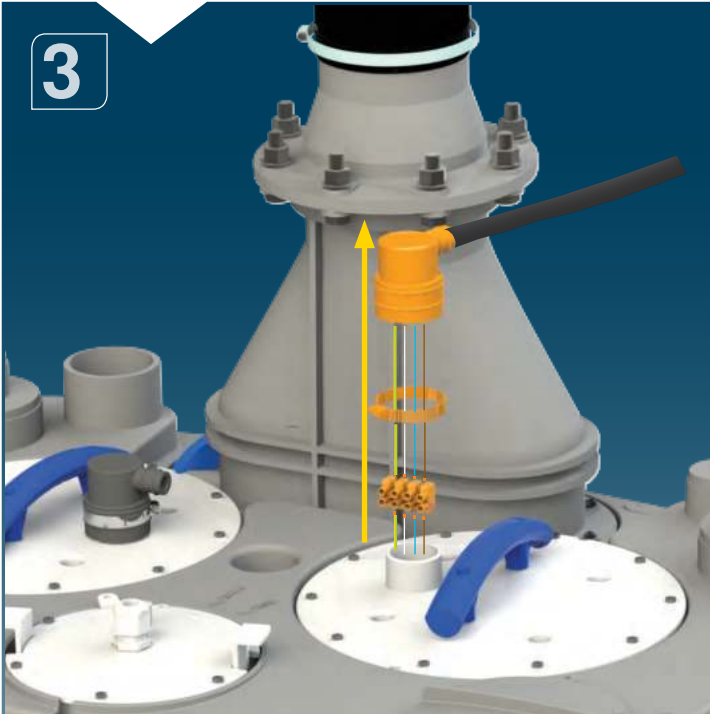
1



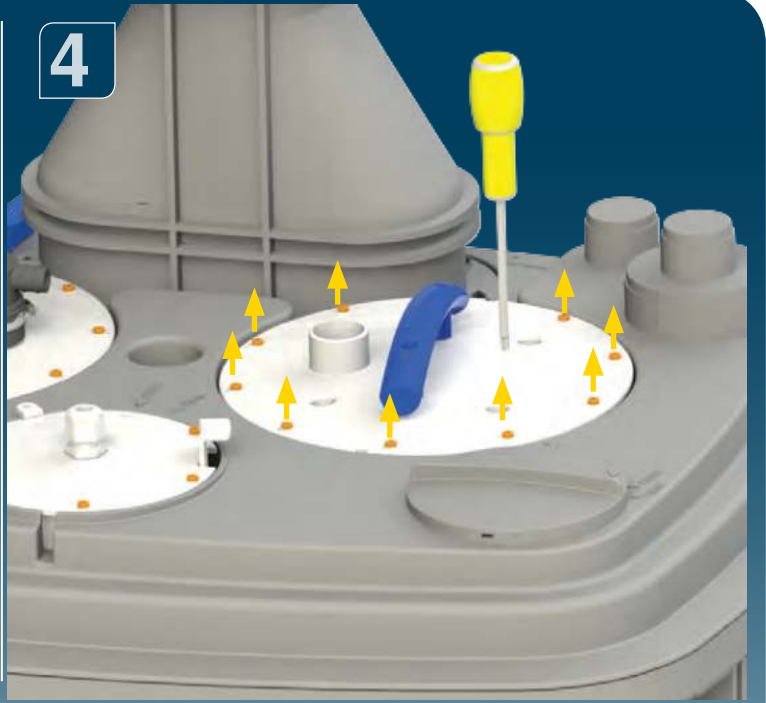
2



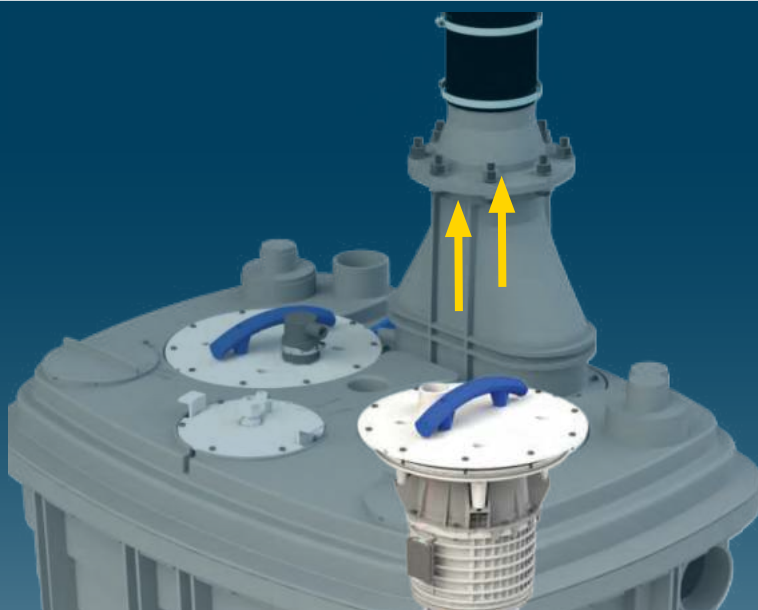
3



4



5



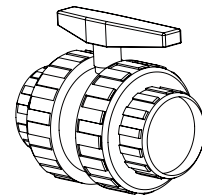
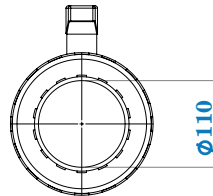
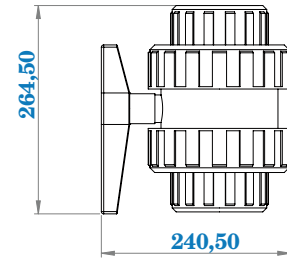
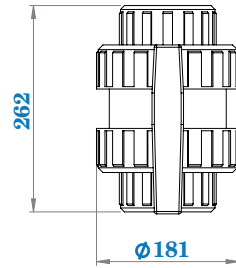
ACCESSORIES OPTION

1



DN 100

For discharge pipe

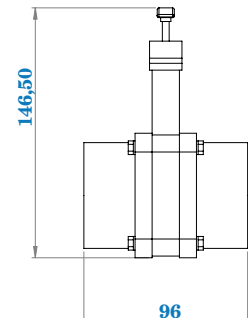
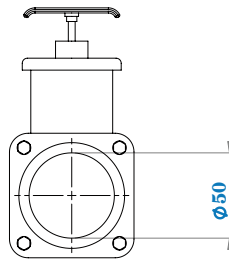
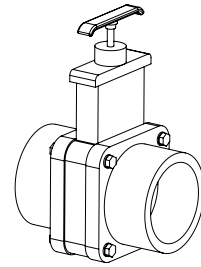
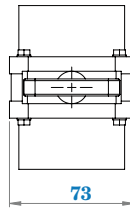


2



DN 50

For DN 50 inlet

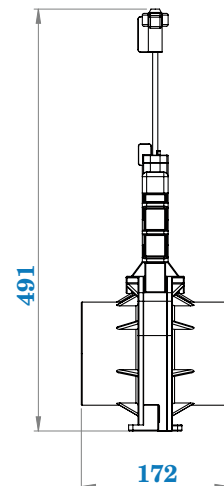
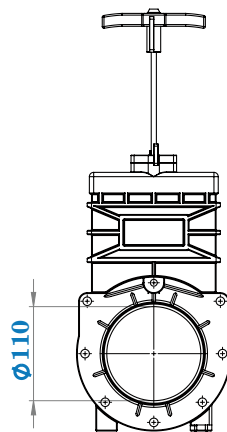


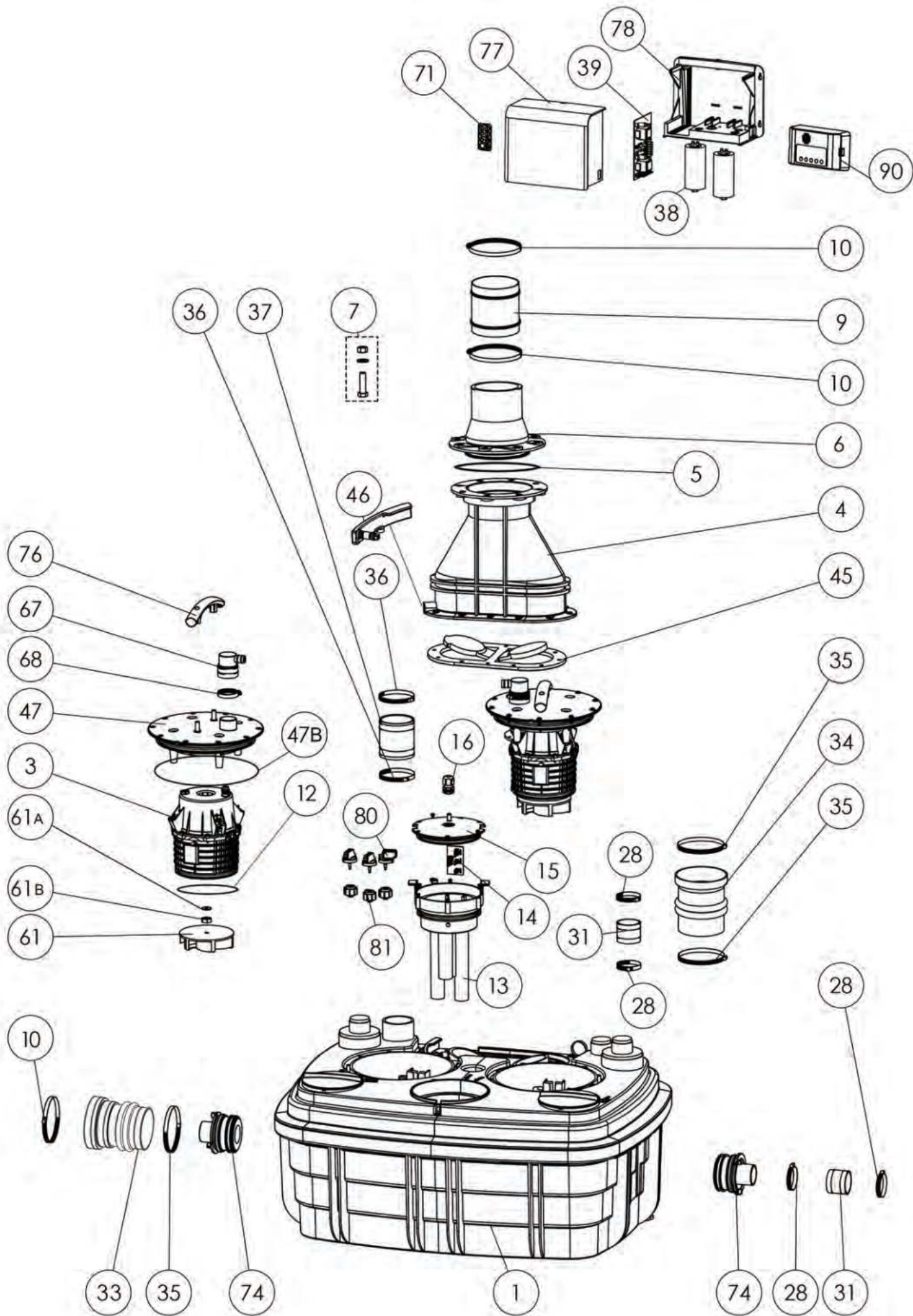
3

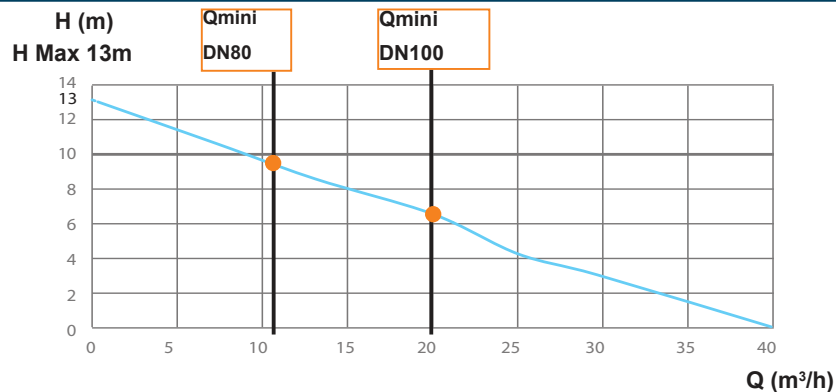


DN 100

For DN 100 inlet

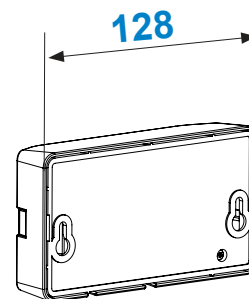
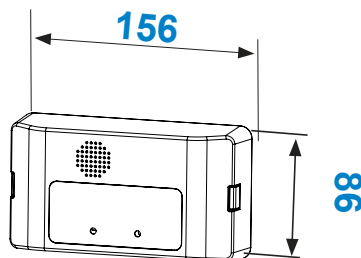
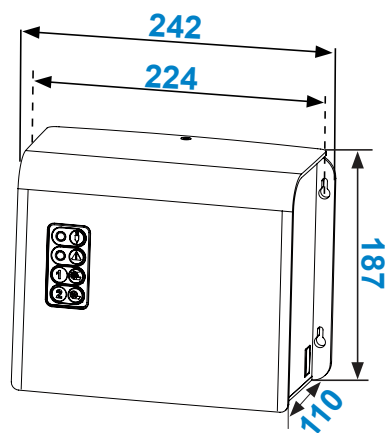


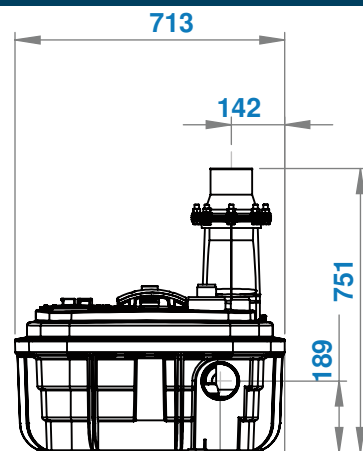
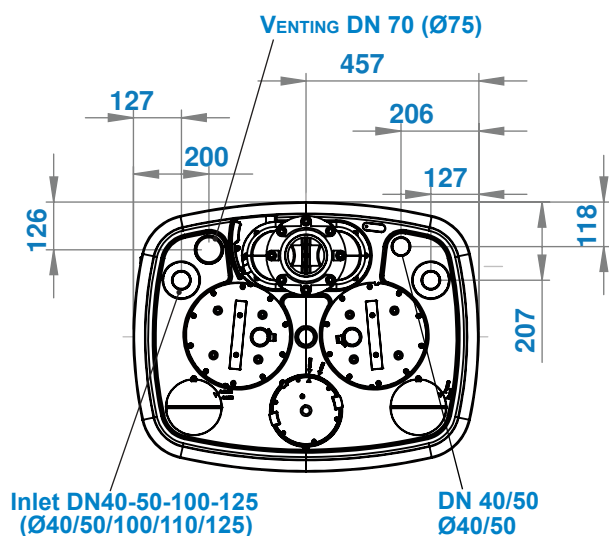




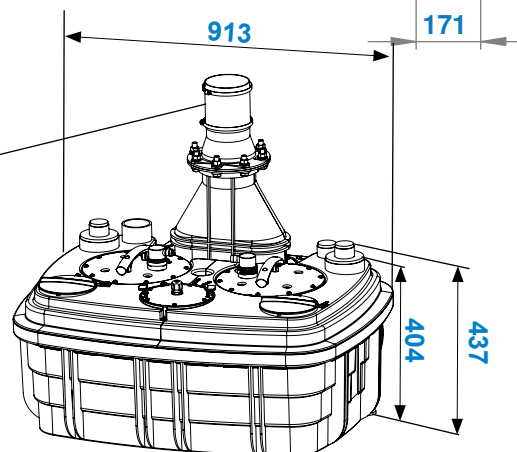
SANICUBIC 2 XL EN 12050-1

Data specifications	
Type of current	1 phase
Voltage	220-240V
Frequency	50 Hz
Motor rating (for one motor)	2 kW
Current (for one motor)	8A
Cable (4m) station - control	H07RN-F-4 G 1,5
Cable (2,5m) control box - plu	H05VV-F-3 G 1,5
Plug	safety
Protection	Station : IP68 , control box IPX4
max. discharge height	13 m
max. flow rate	40 m3/h
max temperature	35°C (70°C , 5min)
Free passage	50mm
Tank volume	120l
useful volume	26 l
ON / OFF level activation	80mm / 110 mm
ON alarm activation	250mm
Weight including accessories	88 kg
Discharge	DN100 (Ø110mm)
Inlet	DN 125 - 100 - 50 - 40 (Ø125,110,100,50,40mm)
Ventilation	DN 70 (Ø75mm)





DISCHARGE PIPE CONNECTION DN 100



FRANCE

SOCIÉTÉ FRANÇAISE D'ASSAINISSEMENT
41 bis avenue Bosquet - 75007 Paris
Tél. +33 1 44 82 39 00
Fax +33 1 44 82 39 01

UNITED KINGDOM

SANIFLO Ltd.,
Howard House, The Runway
South Ruislip Middx.,
HA4 6 SE
Tel. +44 208 842 0033
Fax +44 208 842 1671

IRELAND

SANIRISH Ltd
IDA Industrial Estate
Edenderry - County Offaly
Tel. + 353 46 9733 102
Fax + 353 46 97 33 093

AUSTRALIA

SANIFLO (Australasia) Pty Ltd
Unit 9/10, 25 Gibbes Street
Chatswood NSW 2067
Tel. +61 298 826 200
Fax +61 298 826 950

DEUTSCHLAND

SFA SANIBROY GmbH
Waldstr. 23 Geb. B5 - 63128
Dietzenbach
Tel. (060 74) 30928-0
Fax (060 74) 30928-90

ITALIA

SFA ITALIA spa
Via del Benessere, 9
27010 Sizzano (PV)
Tel. 03 82 61 81
Fax 03 82 61 8200

ESPAÑA

SFA S.L.
C/ Vinalets, 1 - Pl. Can Vinalets
08130 Sta. - Perpètua de Mogoda -
Barcelona
Tel. +34 93 544 60 76
Fax +34 93 462 18 96

PORTUGAL

SFA, Lda.
Sintra Business Park, ed.01-19*2710-089
SINTRA
Tel. +35 21 911 27 85
Fax +35 21 957 70 00

РОССИЯ

SFA РОССИЯ
101000 Москва - Колпачный переулок 9а
Тел. (495) 258 29 51
Факс. (495) 258 29 51

SUISSE SCHWEIZ SVIZZERA

SFA SANIBROY AG
Vorstadt 4
3380 Wangen a. A.
Tel. + 41 (0)32 631 04 74
Fax + 41 (0)32 631 04 75

BENELUX

SFA BENELUX B.V.
Voltaweg 4
6101 XK Echt (NL)
Tel. +31 475 487100
Fax +31 475 486515

SVERIGE

SANIFLO AB
BOX 797
S-191 27 Sollentuna
Tel. +46 (0)8-404 15 30
info@saniflo.se

POLSKA

SFA POLAND Sp. z o.o.
ul. Kolejowa 33
05-092 Łomianki/Warszawa
Tel. (+4822) 732 00 32
Fax (+4822) 751 35 16

ČESKÁ REPUBLIKA

SFA-SANIBROY, spol. s r.o
Na Košince č.ev. 681- 180 00 PRAHA8 -
Libeň
Tel. +420 266 712 855
Fax, +420 266 712 856

ROMANIA

SFA SANIFLO S.R.L.
Strada Leonard Nicolae, nr. 2A
Timișoara 300454
Tel. +40 256 245 092
Fax +40 256 245 029

TÜRKIYE

SFA SANIHYDRO LTD STI
Mecidiye Cad No:36-B Sevencan APT
34394 MECIDIYEKÖY - ISTANBUL
Tel. +90 212 275 30 88
Fax, +90 212 275 90 58

CHINA

SFA 中国
上海市静安区石门二路333弄3号振安
广场恒安大厦27C室 (200041)
T:+86(0)21 6218 8969
F:+86(0)21 6218 8970

KOREA

www.SFA.biz
sales@saniflo-korea.kr

South Africa

SFA Africa
www.saniflo.co.za

BRAZIL

SANITRIT
Rua Manuel da Nobrega 354Paraiso
CEP 04001-001SAO PAULO / SP
Tel. + 55 11 3262 2903
www.sanitrit.com.br

SERVICE HELPLINES

	TEL	FAX
France	N°Azur 0 810 05 90 02 <small>1 UT par appel</small>	03 44 94 46 19
United Kingdom	08457 650011 (Call from a land line)	020 8842 1671
Ireland	1850 23 24 25 (LOW CALL)	+ 353 46 97 33 093
Australia	+1300 554 779	+61.2.9882.6950
Deutschland	0800 82 27 82 0	(060 74) 30928-90
Italia	0382 6181	+39 0382 618200
España	+34 93 544 60 76	+34 93 462 18 96
Portugal	+35 21 911 27 85	+35 21 957 70 00
Suisse Schweiz Svizzera	+41 (0)32 631 04 74	+41 (0)32 631 04 75

Benelux	+31 475 487100	+31 475 486515
Sverige	+46 (0)8-404 15 30	
Norge	+46 (0)8-404 15 30	
Polaska	(+4822) 732 00 33	(+4822) 751 35 16
РОССИЯ	(495) 258 29 51	(495) 258 29 51
Česká Republika	+420 266 712 855	+420 266 712 856
România	+40 256 245 092	+40 256 245 029
Türkiye	+90 212 275 30 88	+90 212 275 90 58
中国	+86(0)21 6218 8969	+86(0)21 6218 8970
Brazil	+55 11 3262 2903	

Service information : www.sfa.biz