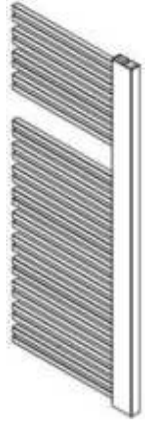




SWING L

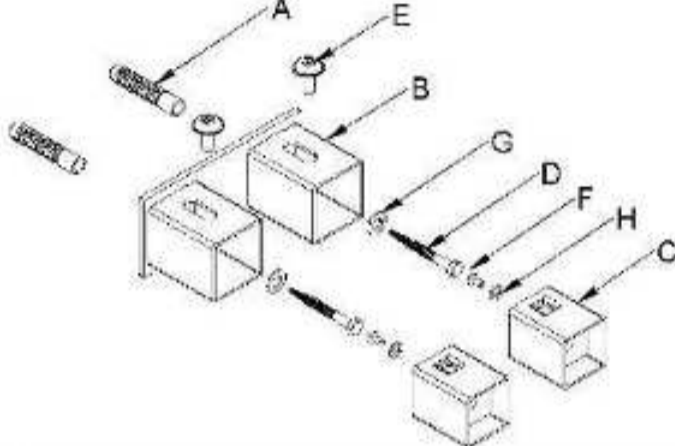


DSWL12100600SK01-0110

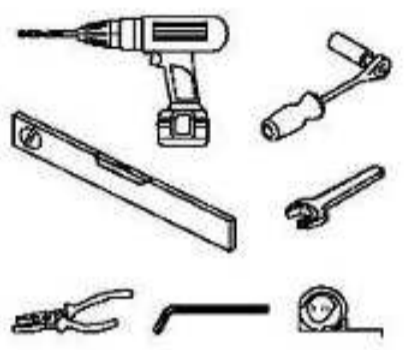
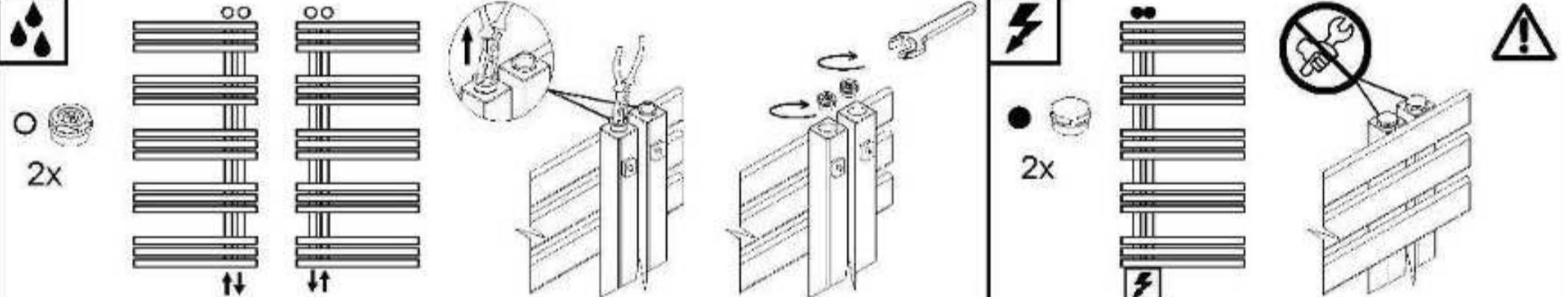


H	L	A	B	C	D	E	F	G
1210	600	25	1115	90	25	95	60-70	82-92
I	J	K	M	N	O	P		
40-50	23.5	min.100	50	-	-	-		

25.1	kg
7.7	l
620	W



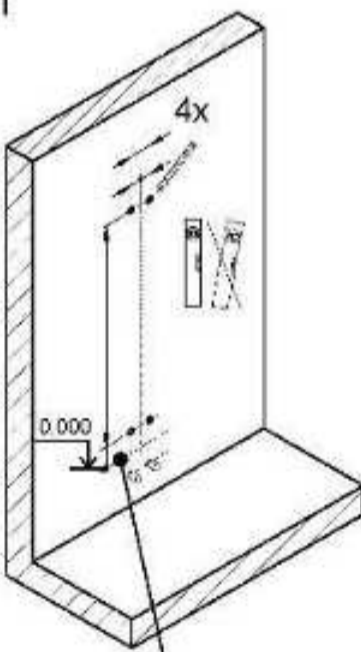
A 4x 10x50	B 2x	C 4x	D 4x M6x60
E 4x M6x10	F 4x M6x12	G 4x D18	H 4x D12

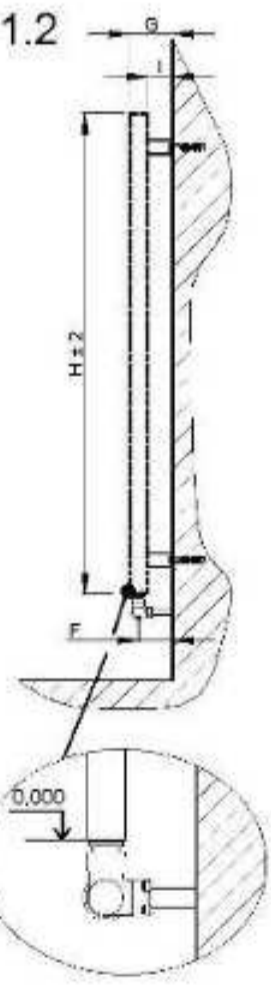
2x

2x

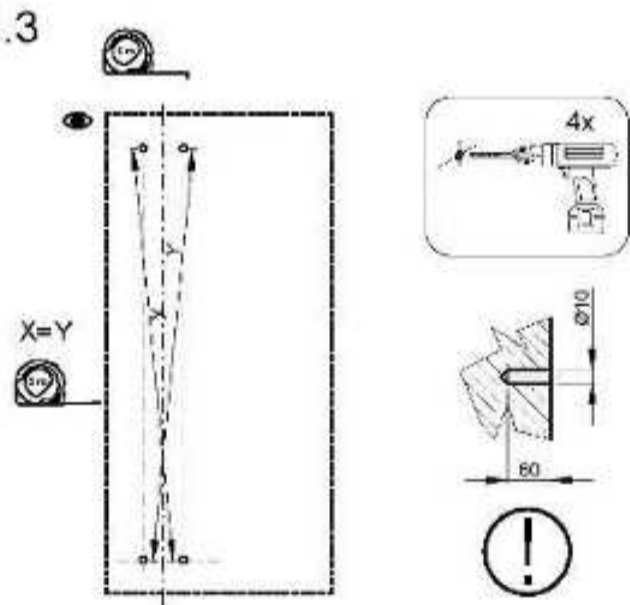
1.1



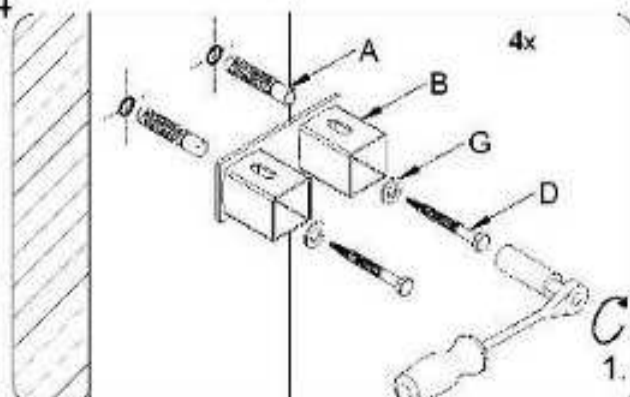
1.2



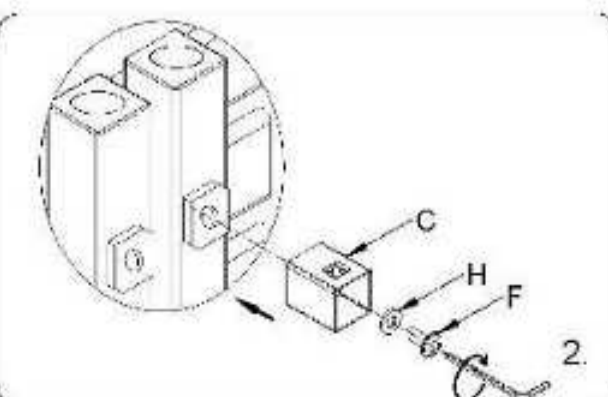
1.3



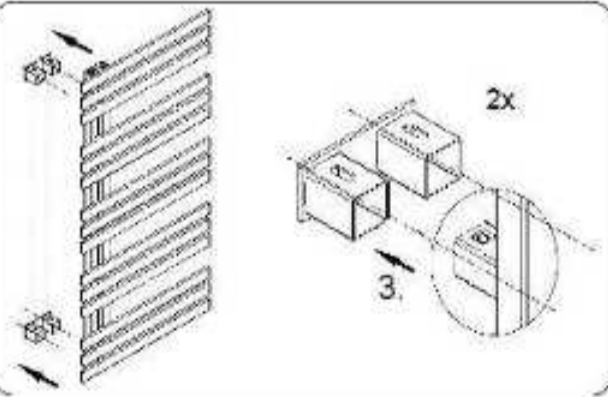
1.4



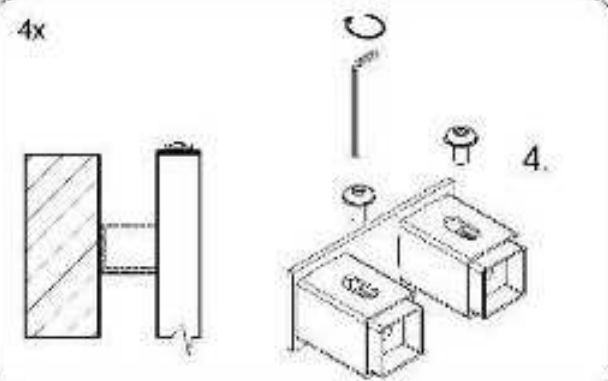
1.5



1.6



1.7

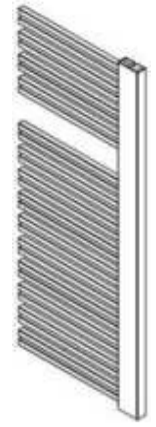




SWING L

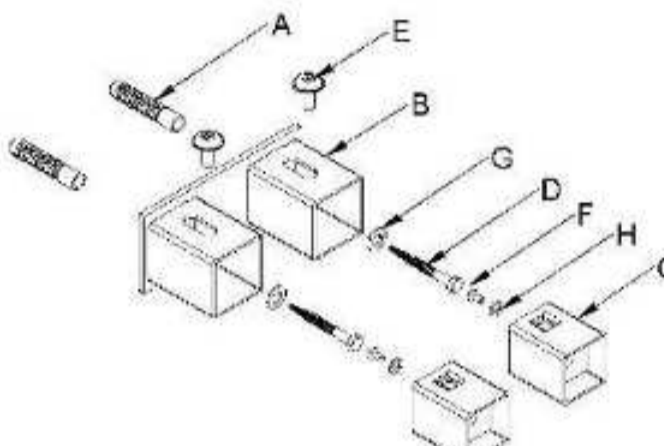


DSWL16100600SK01-0110

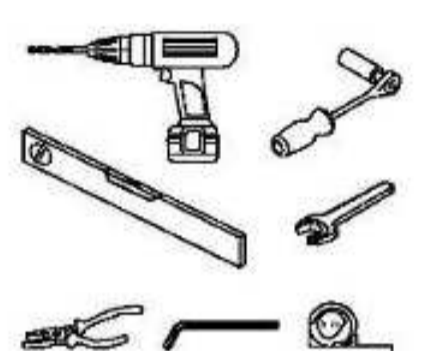
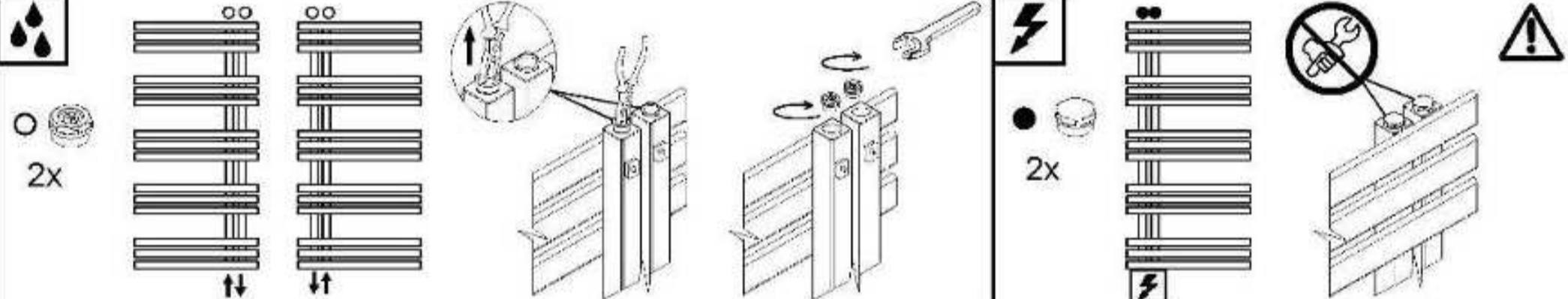


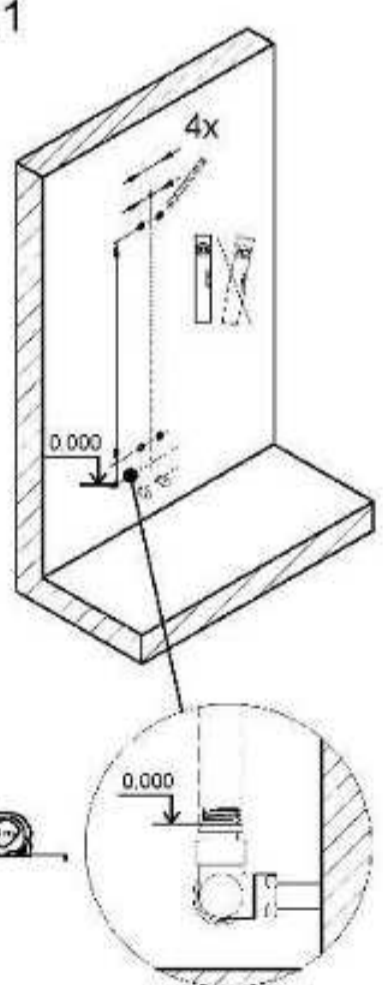
H	L	A	B	C	D	E	F	G
1610	600	25	1515	90	25	95	60-70	82-92
I	J	K	M	N	O	P		
40-50	23.5	min.100	50	-	-	-		

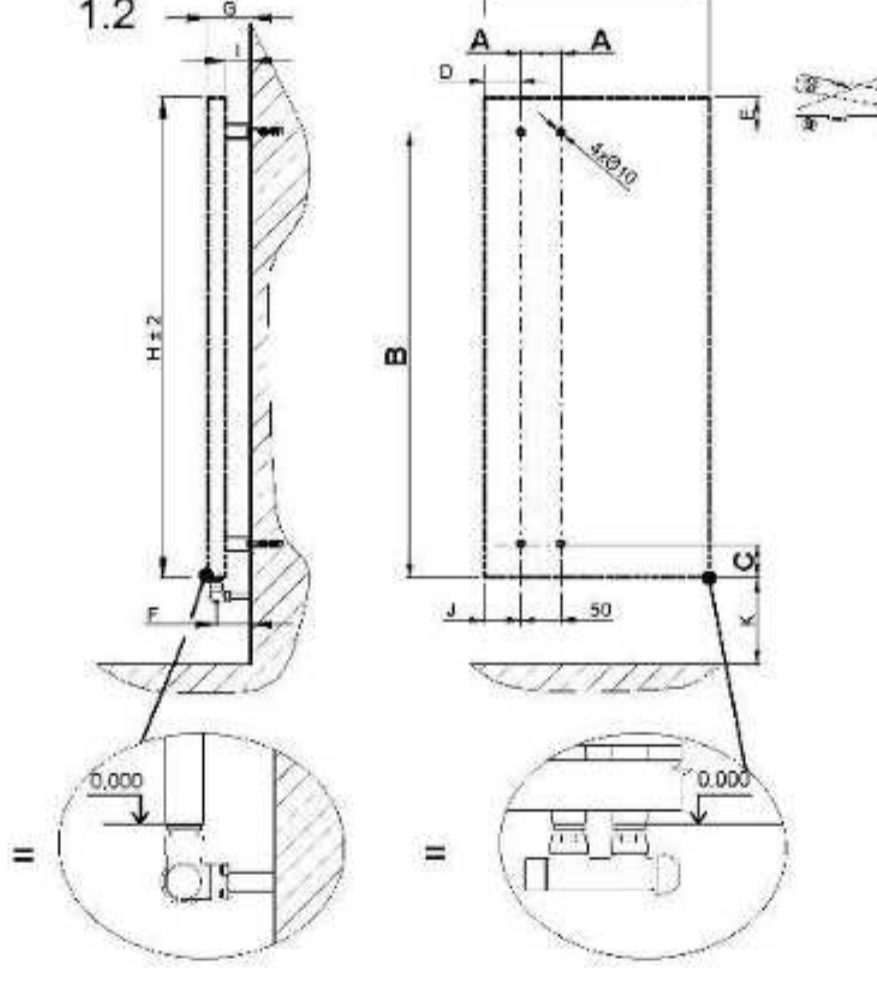
34.0	kg
10.4	l
818	W

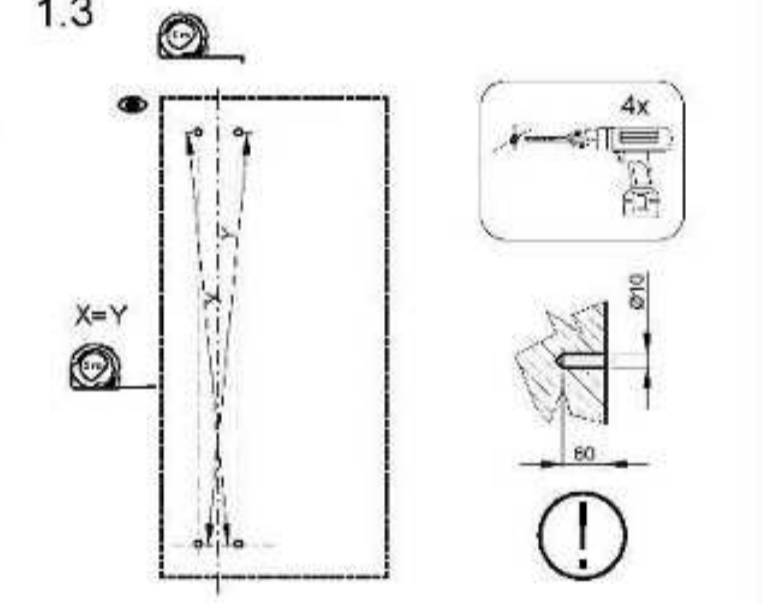


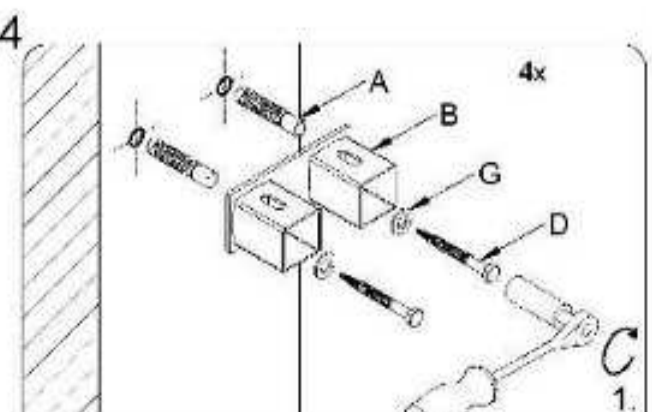
A 4x 10x50	B 2x	C 4x	D 4x M6x60
E 4x M6x10	F 4x M6x12	G 4x D18	H 4x D12

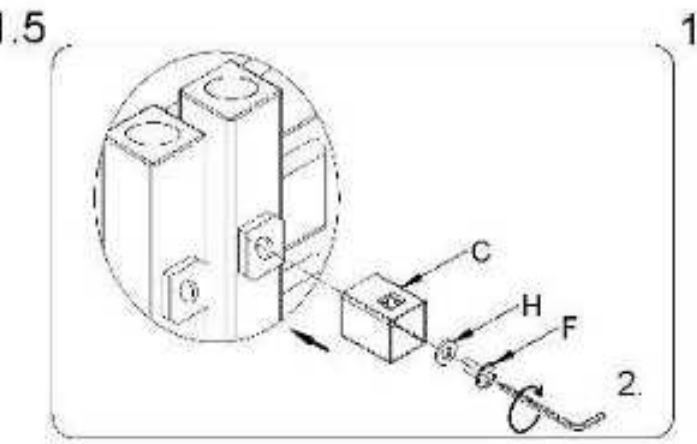



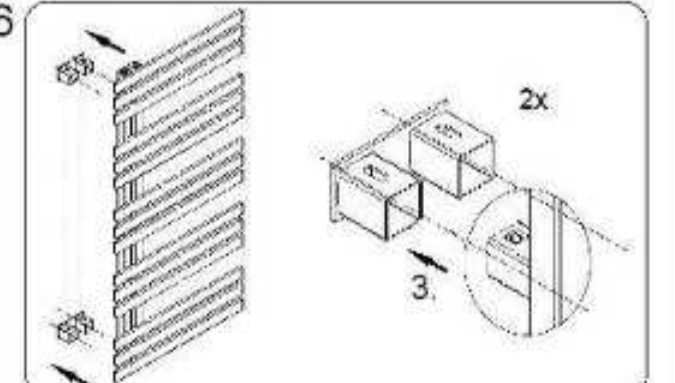
1.1 

1.2 

1.3 

1.4 

1.5 

1.6 

1.7 